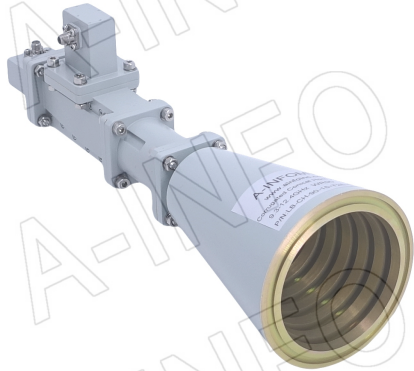


For reference only. See data sheet for the detailed specifications.

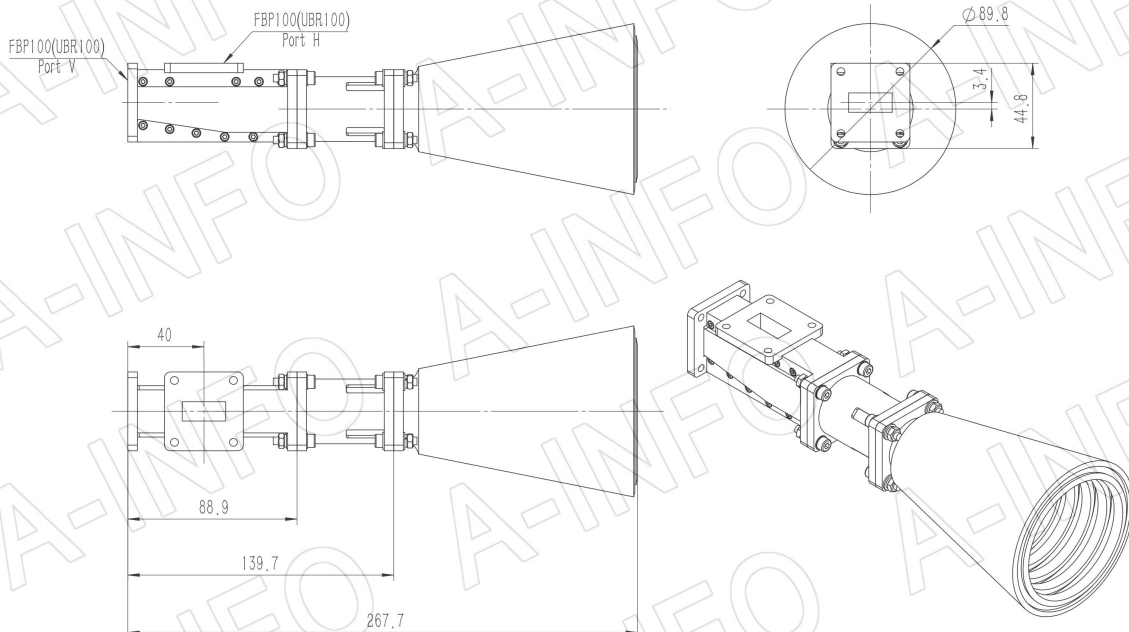
Technical Specification



Frequency Range(GHz)	9.3 – 12.4	
Waveguide	WR90	
Gain(dBi)	15 Typ.	
Polarization	Dual Linear	
3dB Beamwidth(deg)	E Plane:	28 Typ.
	H Plane:	29 Typ.
Cross Pol. Isolation(dB)	45 Typ.	
Port to Port Isolation(dB)	55 Typ. ; 45 Min.	
VSWR	A Type:	1.50:1 Typ.
	C Type:	1.60:1 Typ.
Output	A Type:	FBP100(UBR100)
	C Type:	SMA-Female or N-Female or TNC-Female or 7mm or 3.5mm-Female
Material	Al	
Finish	Silver Plated and Chemical Conversion Coating, Gray Paint	
Size(mm)	A Type:	89.8 x 89.8 x 267.7
	C Type:	107 x 89.8 x 305.7
Net Weight(Kg)	A Type:	0.71 Around
	C Type:	0.84 Around

Outline Drawing (Size: mm)

FBP100 Output (P/N: LB-CH-90-15-T26-A)



AINFO Inc.

China(Beijing):
China(Chengdu):
USA :

Tel: (+86) 10-6266-7326,
Tel: (+86) 28-8519-2786,
Tel: (+1) 949-639-9688,

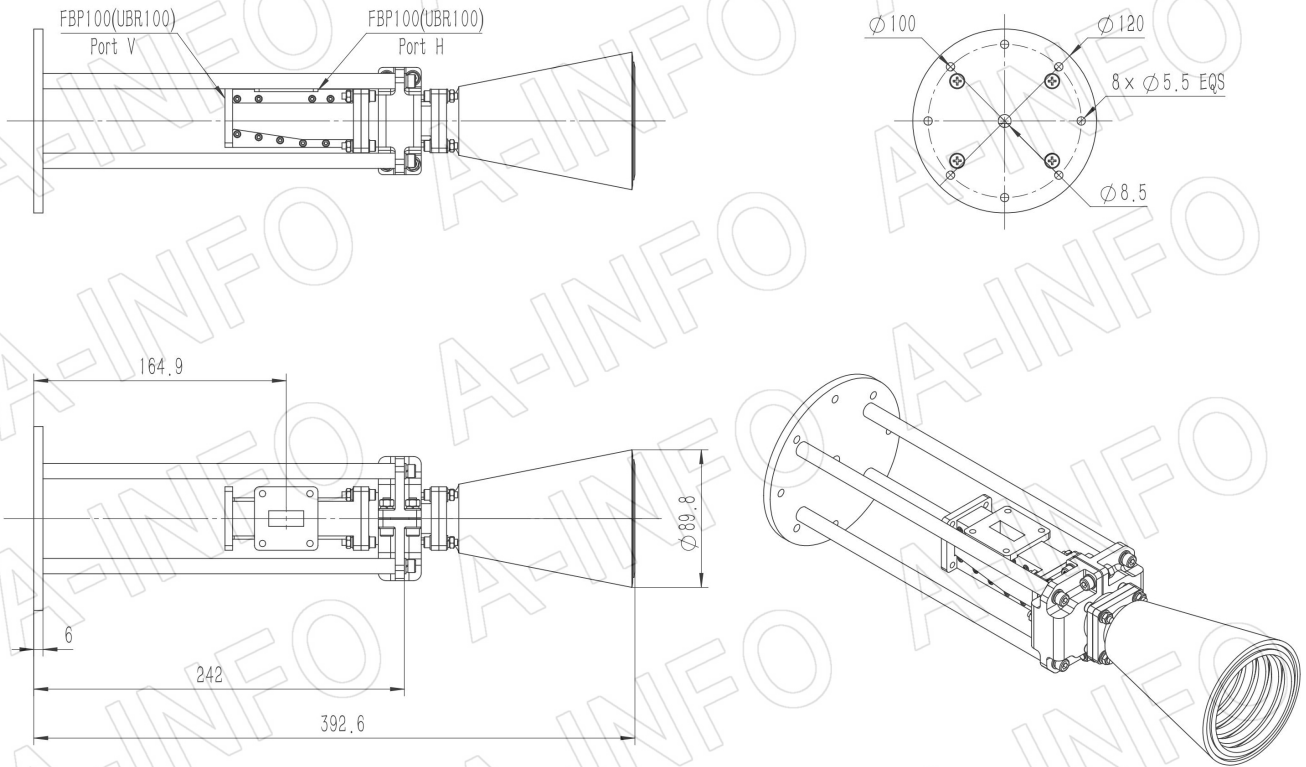
(+86) 10-6266-7327
(+86) 28-8519-3044
(+1) 949-639-9608

Page 1 of 11

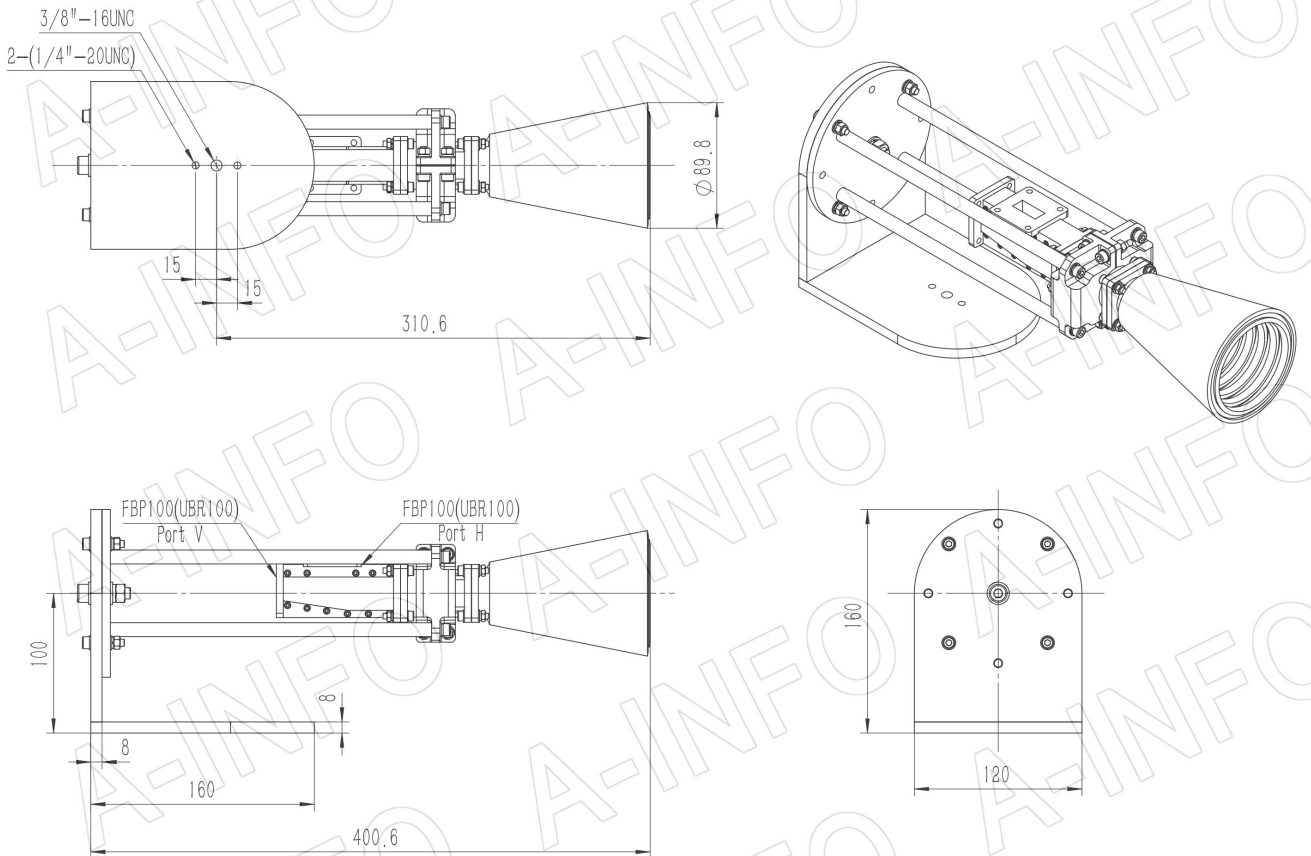
Fax: (+86) 10-6266-7379
Fax: (+86) 28-8519-3068
Fax: (+1) 949-639-9670

Website: www.ainfoinc.com
Email: sales@ainfoinc.com

FBP100 Output with Round Mounting Bracket (Option, P/N: LB-CN-90-10-MB)

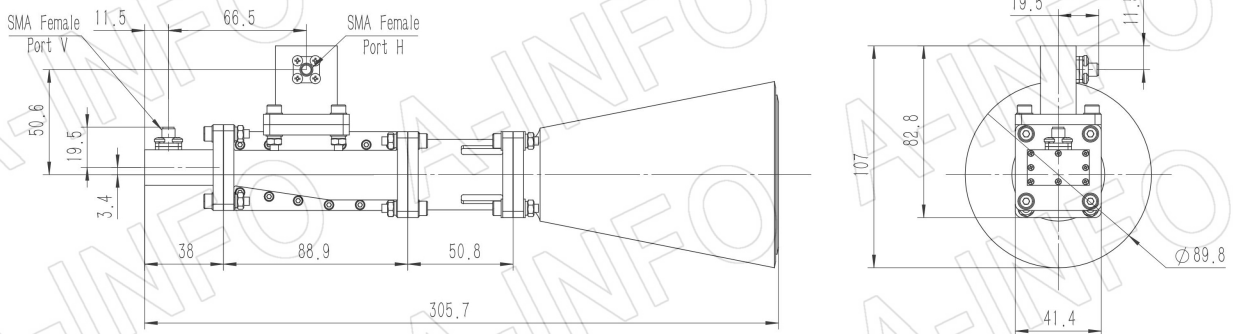


FBP100 Output with L Type Mounting Bracket (Option, P/N: LB-CN-90-10-MBL)



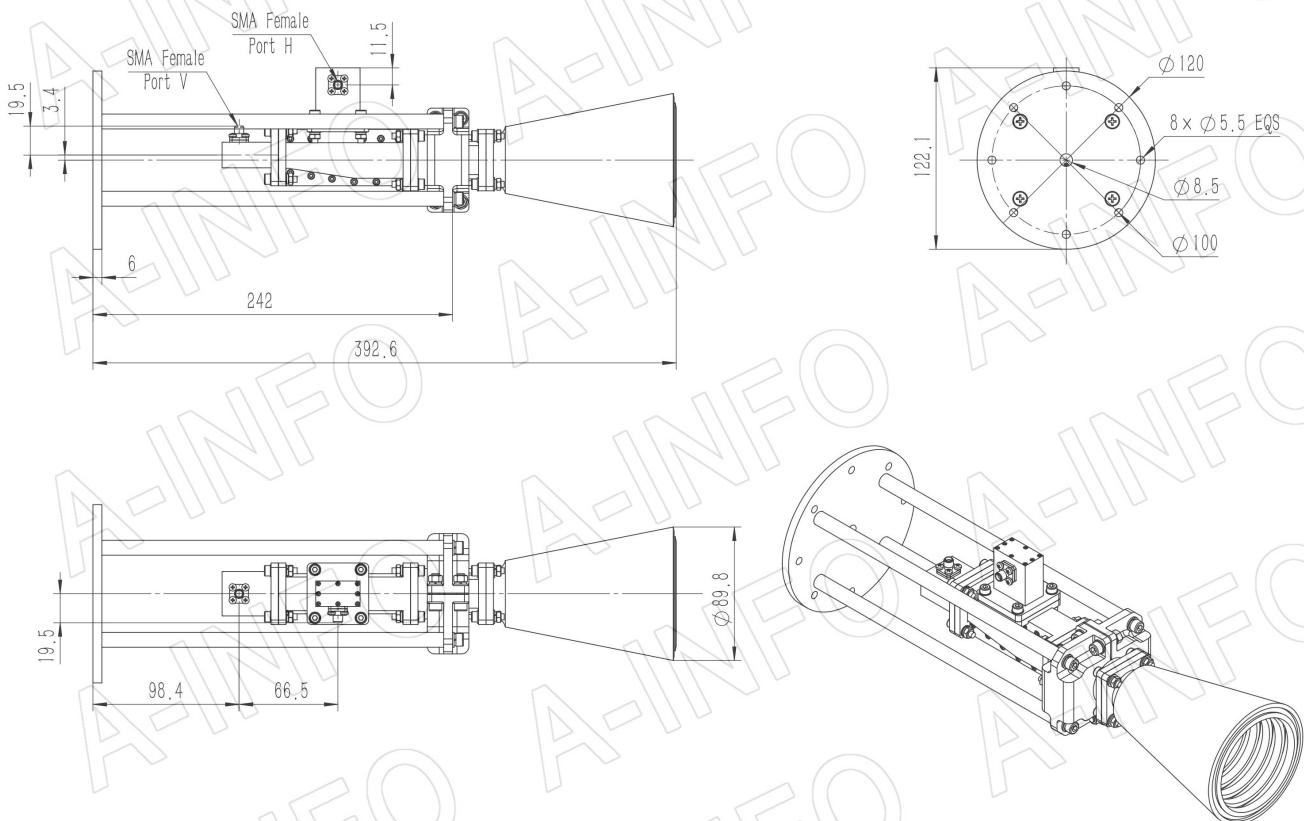
SMA-Female Output (P/N: LB-CH-90-15-T26-C-SF)

For N-Female, TNC-Female, 7mm or 3.5mm-Female output outline drawing, please contact A-INFO.



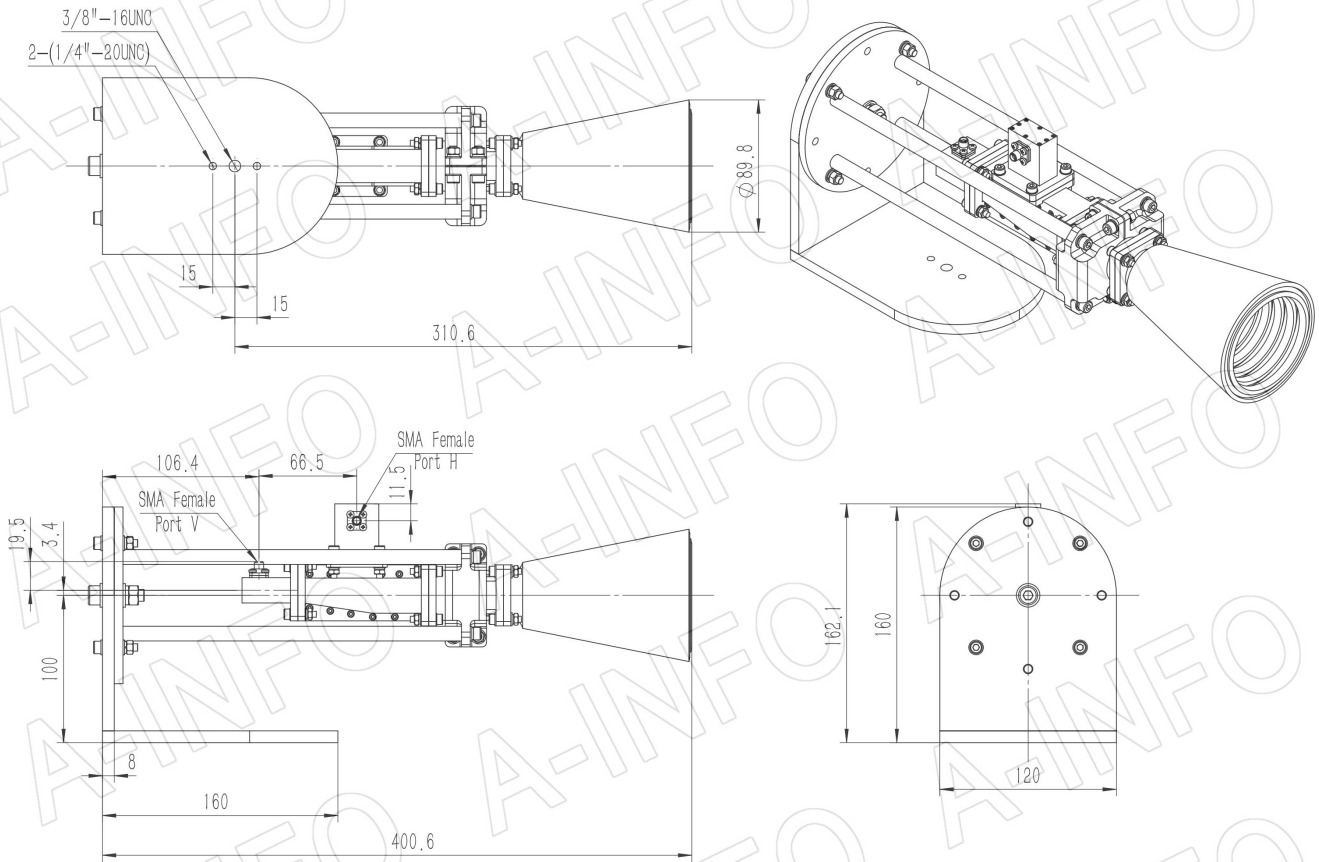
SMA-Female Output with Round Mounting Bracket (Option, P/N: LB-CNH-90-10-MB)

For N-Female, TNC-Female, 7mm or 3.5mm-Female output outline drawing, please contact A-INFO.

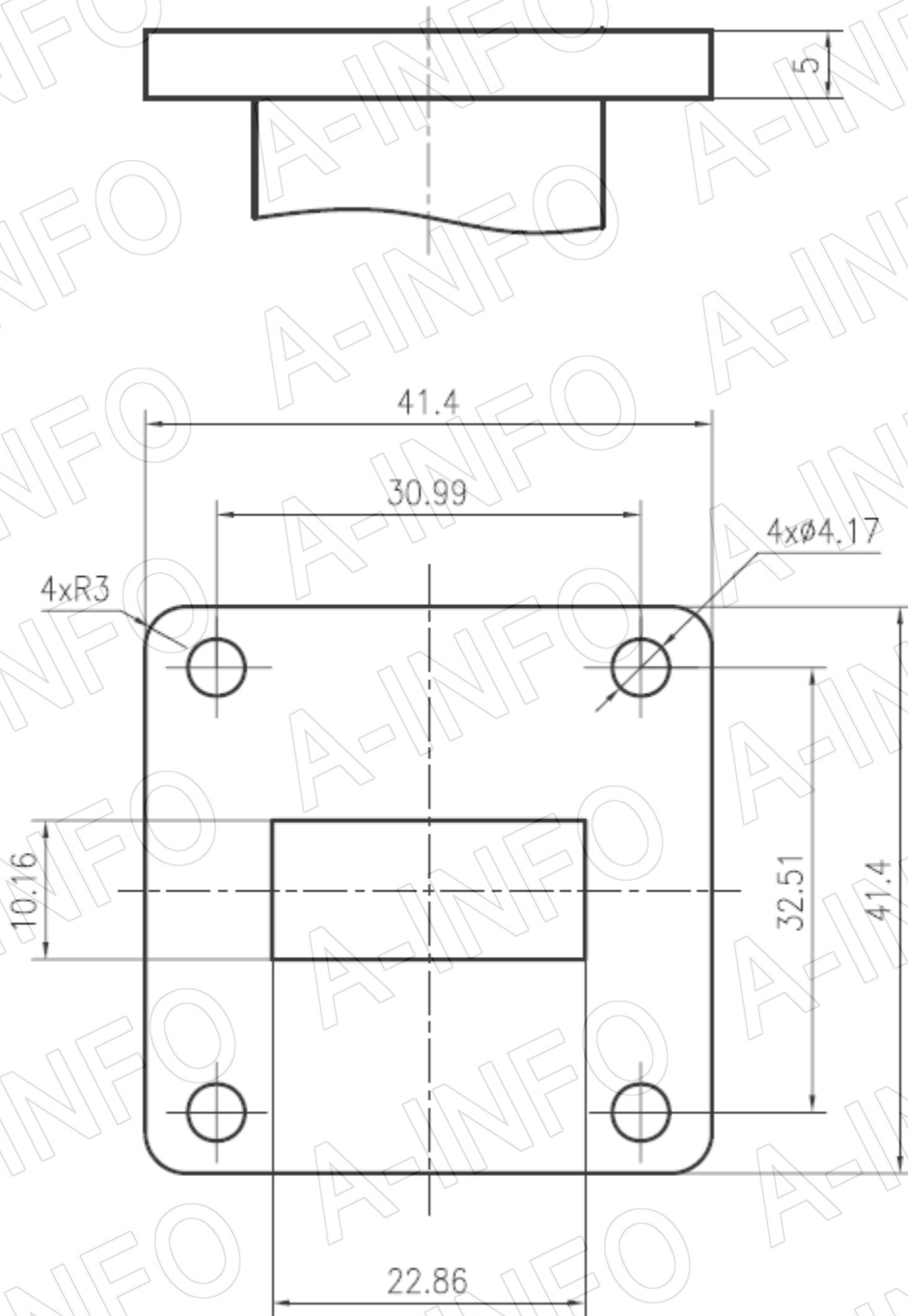


SMA-Female Output with L Type Mounting Bracket (Option, P/N: LB-CNH-90-10-MBL)

For N-Female, TNC-Female, 7mm or 3.5mm-Female output outline drawing, please contact A-INFO.



Flange Drawing (Size: mm)



FBP100

AINFO Inc.

China(Beijing): Tel: (+86) 10-6266-7326,
 China(Chengdu): Tel: (+86) 28-8519-2786,
 USA: Tel: (+1) 949-639-9688,

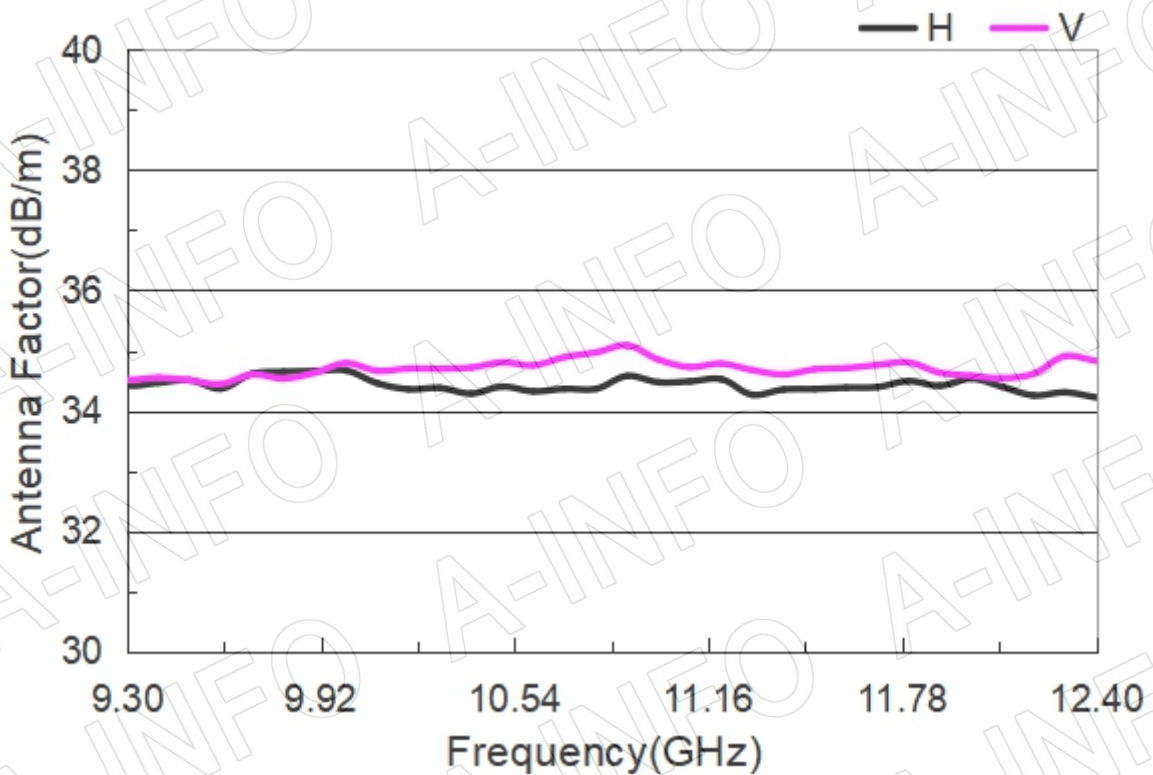
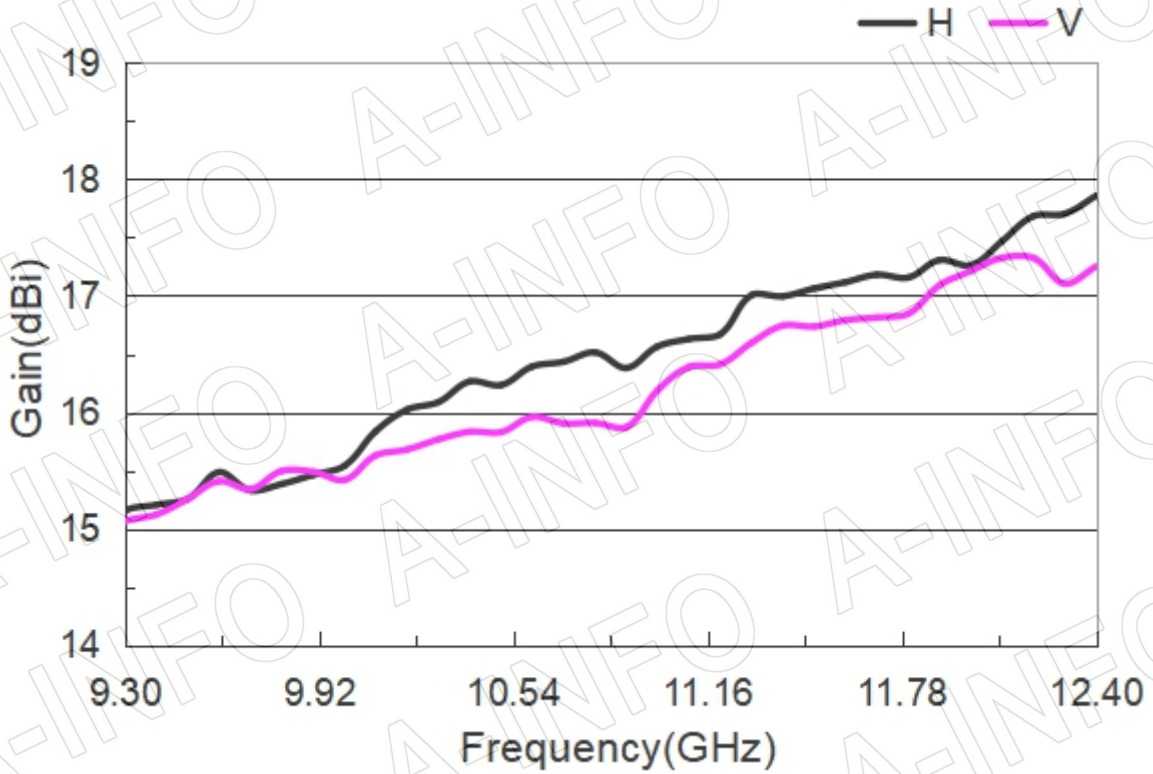
Page 5 of 11

(+86) 10-6266-7327 Fax: (+86) 10-6266-7379
 (+86) 28-8519-3044 Fax: (+86) 28-8519-3068
 (+1) 949-639-9608 Fax: (+1) 949-639-9670

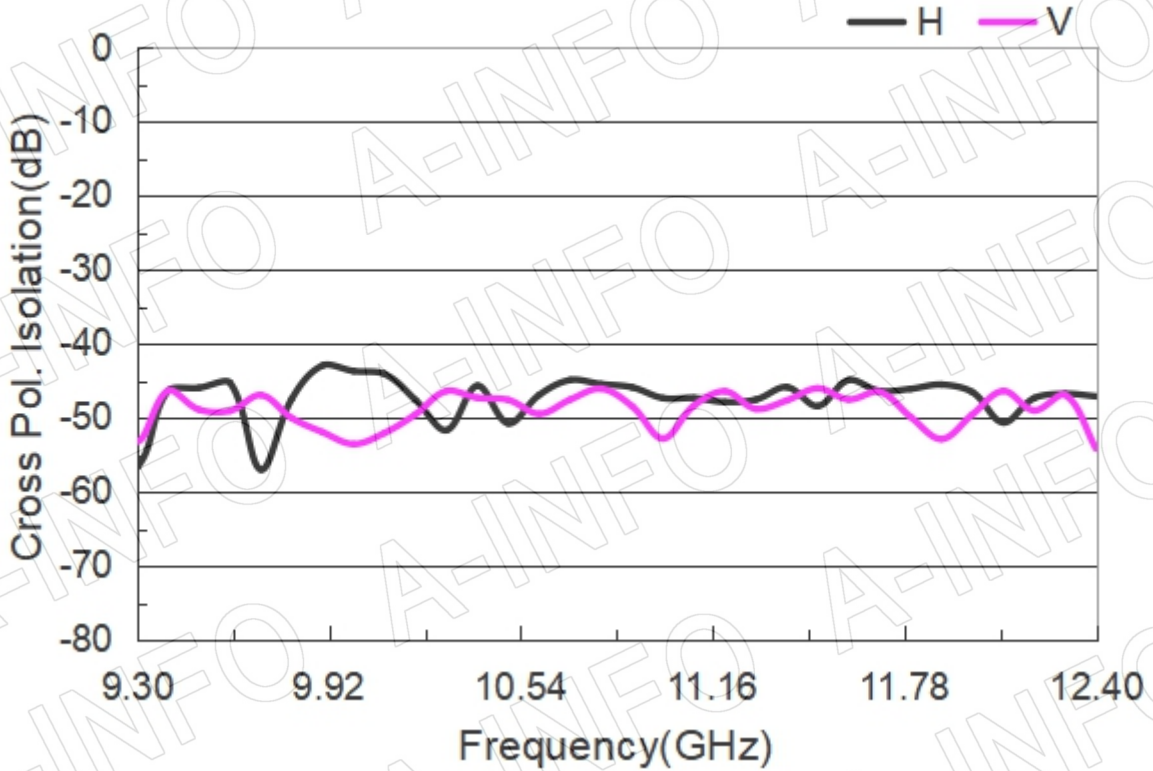
Website: www.ainfoinc.com
 Email: sales@ainfoinc.com

Test Results

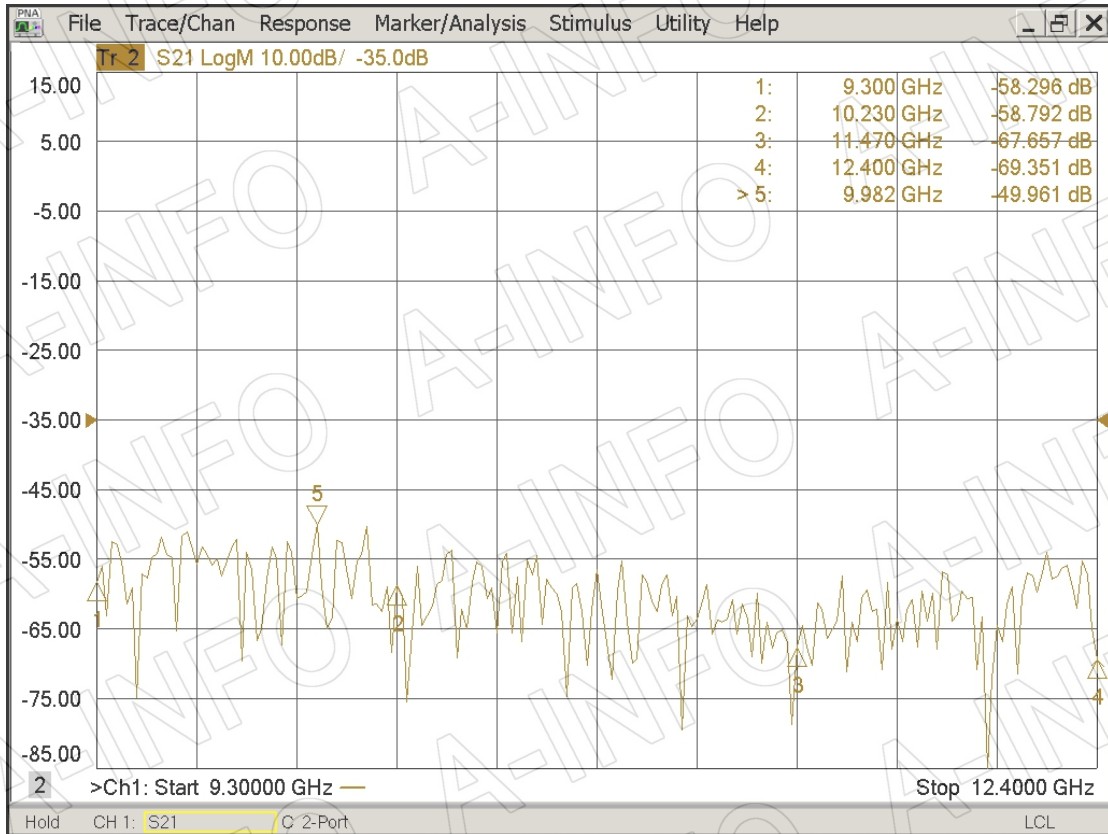
1. Gain & Antenna Factor



2. Cross Polarization Isolation

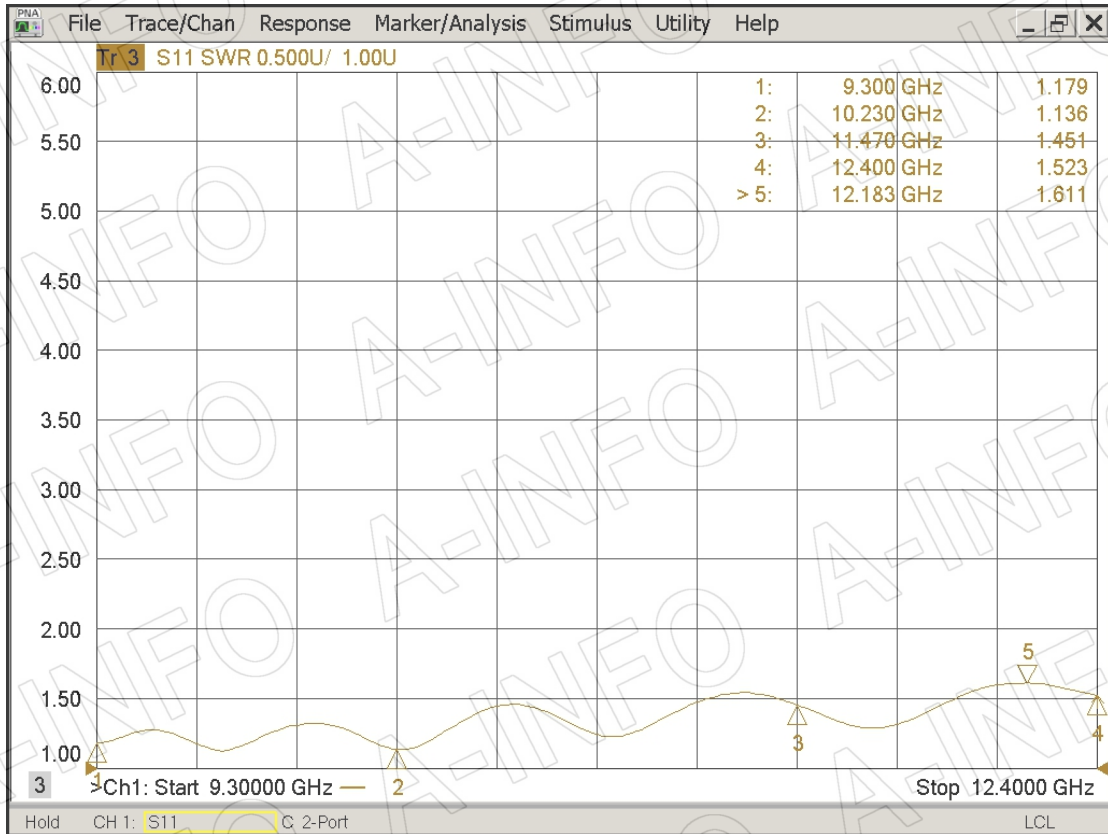


3. Port to Port Isolation

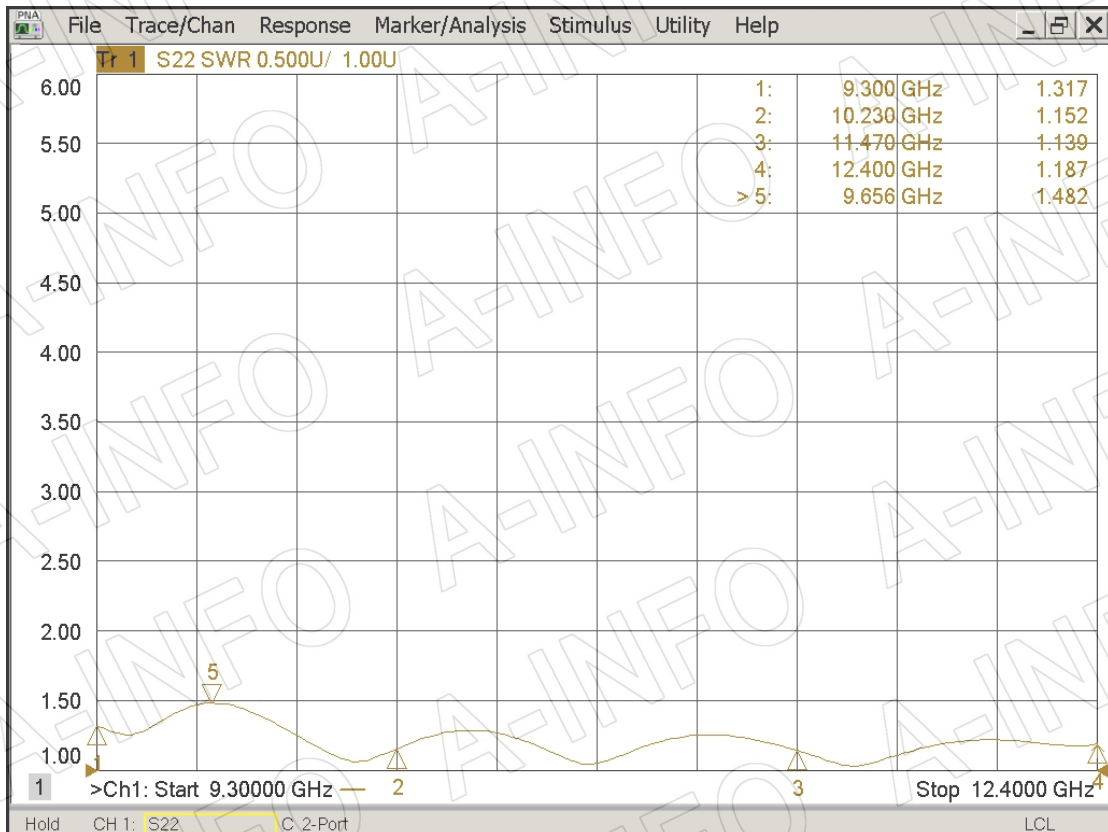


4. VSWR_A Type

Port-H

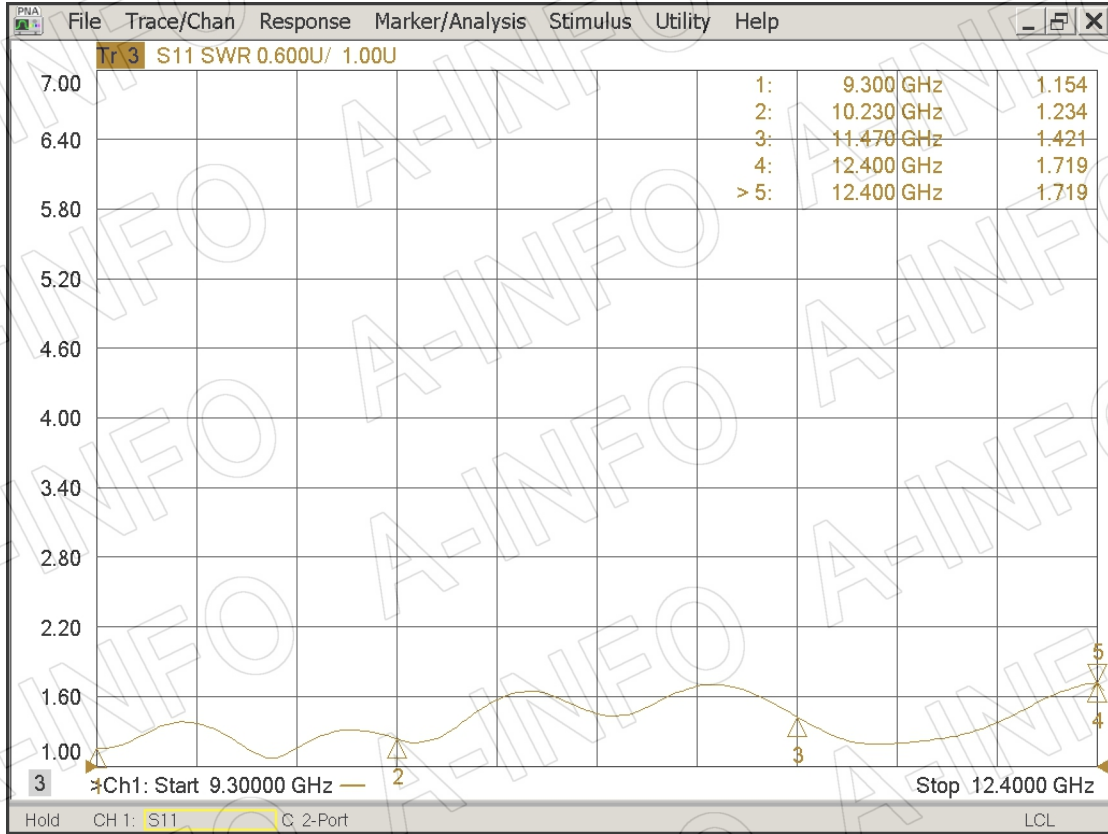


Port-V

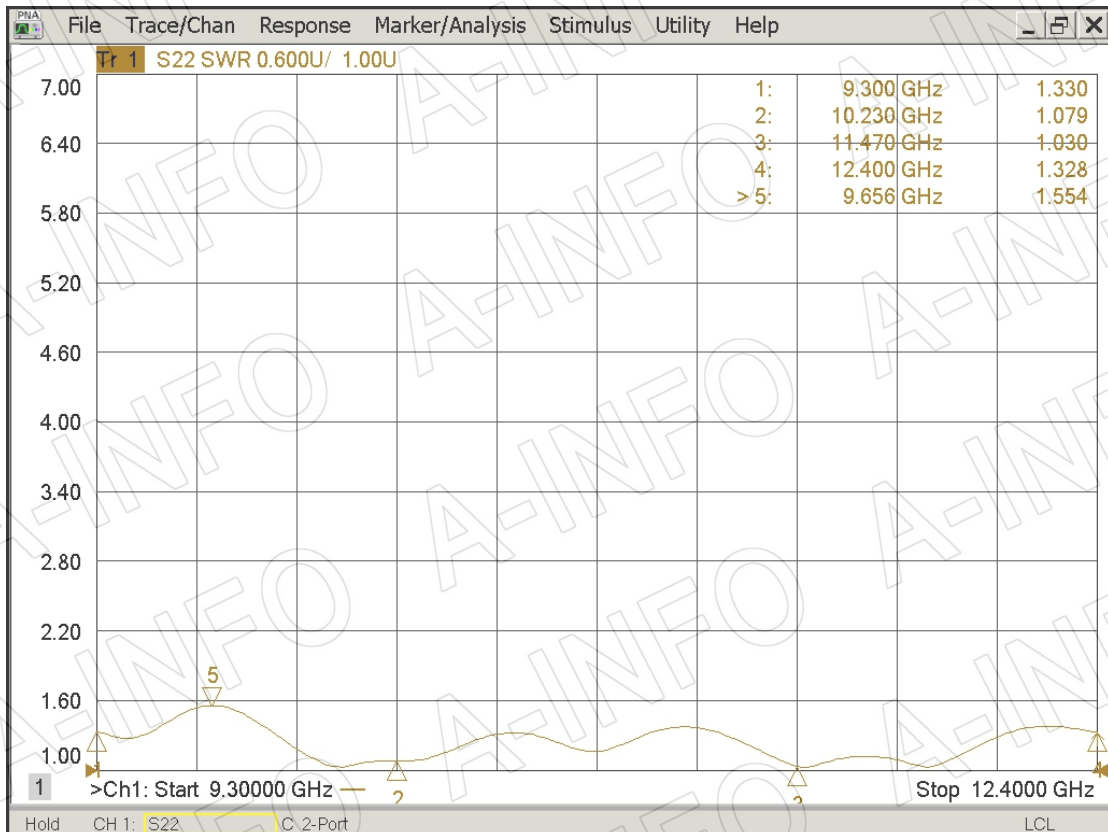


VSWR_C Type

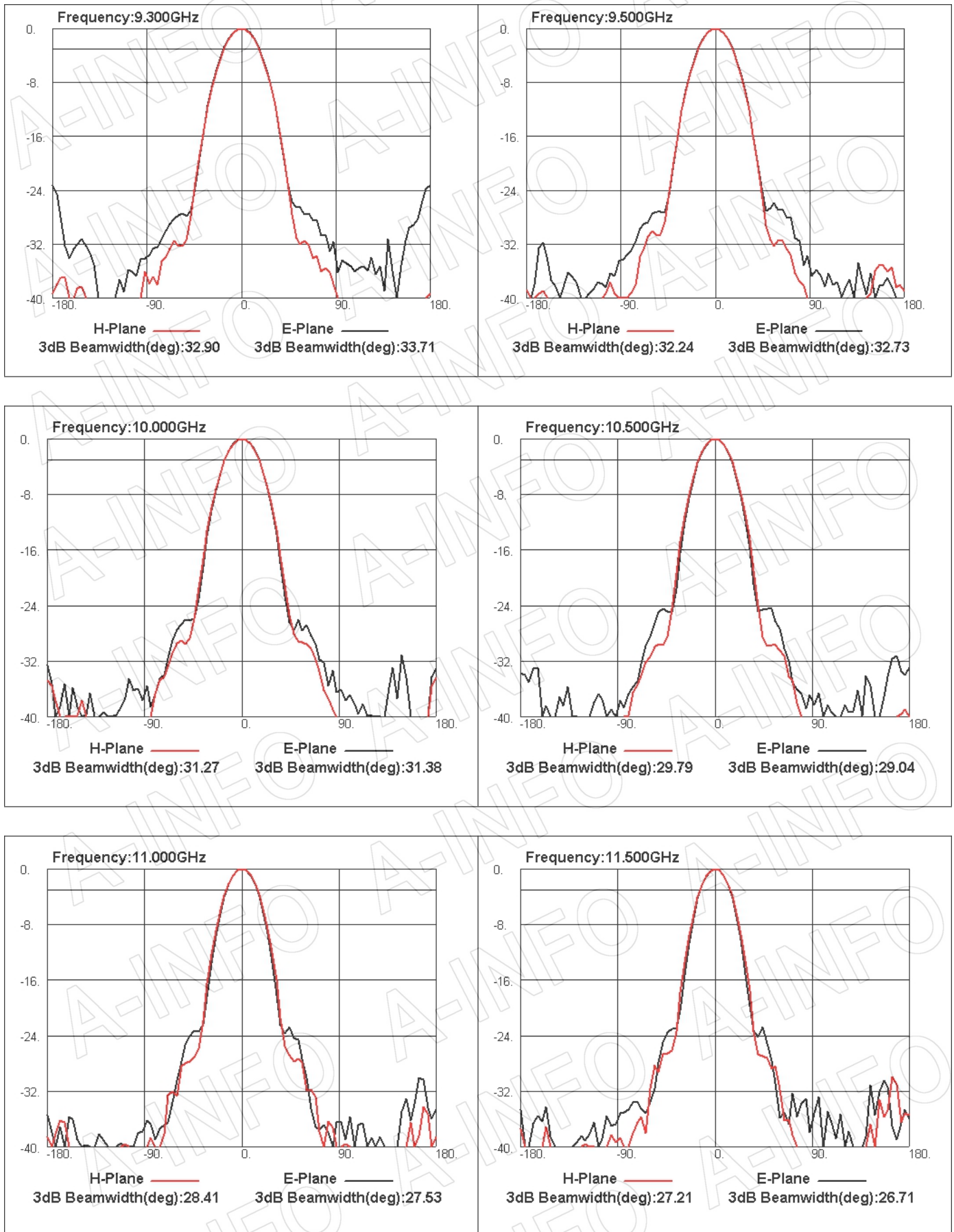
Port-H



Port-V



5. Pattern



AINFO Inc.

China(Beijing): Tel: (+86) 10-6266-7326,
 China(Chengdu): Tel: (+86) 28-8519-2786,
 USA: Tel: (+1) 949-639-9688,

Page 10 of 11

(+86) 10-6266-7327
 (+86) 28-8519-3044
 (+1) 949-639-9608

Fax: (+86) 10-6266-7379
 Fax: (+86) 28-8519-3068
 Fax: (+1) 949-639-9670

Website: www.ainfoinc.com
 Email: sales@ainfoinc.com

